

# SX-PCEAC2

## 2x2 Dual Band 802.11ac WLAN Plus BT Combo Module



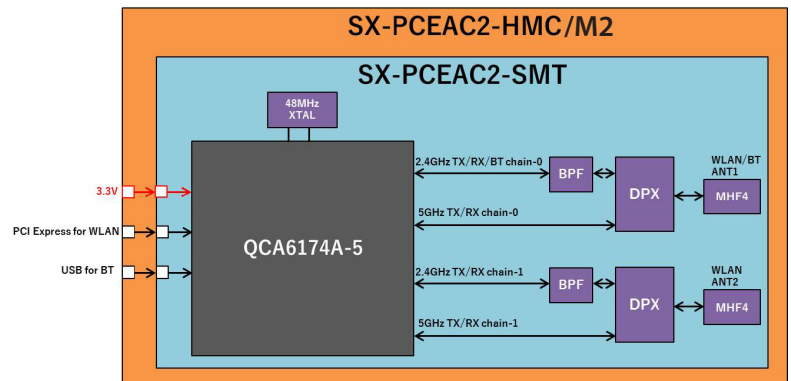
Form Factors includes M.2 LGA, M.2 PCIe and Half Mini Card Options

The SX-PCEAC2 is a dual-band 802.11 a/b/g/n/ac module with bluetooth support which is designed for devices that require wireless connectivity in a small form factor combined with high performance with throughputs reaching upto 867Mbps.

The SX-PCEAC2 is powered by Qualcomm Atheros radio chip, the QCA6174-5 which features 2x2 wave 2 MU-MIMO technology. There are a few form factors available . The surface mount option, the M.2 LGA type 1216, offers the lowest footprint. Where as the M.2 card form factor is suitable who are looking to migrate from their legacy PCIe radios to an 802.11ac solution. The half mini card option also allows flexibility to customers to evaluate the radio using any platform that has a full PCIe slot.

### Key Features:

- Dual-Band 802.11ac Wave2 with MU-MIMO**  
 SX-PCEAC2 is a 802.11ac WLAN plus Bluetooth combo solution that supports 2x2 MU-MIMO with two spatial streams for designed to deliver superior WLAN and BT performance.
- Multiple Form Factors for Diverse Needs**  
 SX-PCEAC2 s available in surface mount (M.2 LGA Type), M.2 1630 PCI Express Card and half mini PCIe form factors.
- Enterprise Security Support**  
 The SX-PCEAC2 supports WPA and WPA2 including 802.1x Extensible Authentication Protocol (EAP) types. It provides robust security for enterprise demands.
- Support from Design to Manufacture**  
 As Qualcomm's Authorized Deisgn Center, we have direct access to their design information that enables us to provide premium hardware and software support from design through deployment.
- Modular Certifications**  
 Modular certifications and approvals available for FCC (USA), IC (Canada), ETSI (Europe), MIC (Japan).



### Specifications:

Product Name	SX-PCEAC2-SMT / SX-PCEAC2-HMC / SX-PCEAC2-M2
Chipset	QCA6174-5
Host Interface	WLAN: PCIe BT: USB
Radio Specifications	802.11a/b/g/n/ac (2x2)
Bluetooth Specifications	Bluetooth v5.0 (BR/EDR/LE)
Security	WPA/WPA2 802.11x (LEAP, PEAP, TLS, TTLS, FAST)
Operating Voltage	3.3V +/-5%
Current Consumption (Peak Value)	[2.4GHz] Tx: 970mA ; Rx: 150mA [5GHz] Tx: 940mA; Rx 210mA Idle: 10mA ; Radio Off: 3mA
Operating Temperature	-20°C to +70 °C
Dimensions	SX-PCEAC2-SMT: 12.0 x 16.0 x 1.5 (mm) SX-PCEAC2-HMC: 30.0 x 26.8 x 3.4 (mm) SX-PCEAC2-M2: 16.5x30.0x2.34 (mm)
Driver Options	Linux, ath10k, Windows
Modular Certifications	FCC / IC / CE / MIC

silex technology is a registered trademark of silex technology, Inc. Other product or brand names may be registered trademarks or trademarks of their respective owners. Technical information and specifications are subject to change without notice. © 2020 silex technology, Inc. All rights reserved.

### silex global sales & support locations



**US Office**  
 silex technology america, Inc.  
 +1-657-218-5199  
 www.silextechnology.com  
 sales@silexamerica.com

**Europe Office**  
 silex technology europe, GmbH  
 +49-2154-88967-0  
 Germany toll free 0800-7453938  
 www.silextechnology.com  
 sales@silexeurope.com

**India Office**  
 silex technology india, Pvt. Ltd.,  
 +91-44-43033234  
 www.silex-india.com  
 support@silex-india.com

**Corporate Headquarters**  
 silex technology, Inc.  
 +81-774-98-3781  
 www.silex.jp  
 support@silex.jp